



# Hitachi TrueCopy/HUR Support USP-V/VM

Last Refresh: 26-Mar-2012 9:30am

The following compatibility/interoperability information provided by Hitachi Data Systems should be used as a reference guide only, because hardware and software levels and releases may vary, and numerous hardware and software combinations are possible. Hitachi Data Systems makes no representation or guarantee regarding the compatibility of specific hardware or software products.

**This information is provided "AS IS" without warranty of any kind, including any warranty of merchandising or fitness for a particular purpose.**

Cells highlighted in light blue are new entries.

Storage System	Function	Switch Model	Switch FW	Extender Model	Extender FW	Configuration	Note
USP-V/VM	TrueCopy/HUR	Any	Any	ADVA FSP2000 DWDM	Any GA FW	Config 12 or 13	
USP-V/VM	TrueCopy/HUR	Any	Any	ADVA FSP3000 DWDM	Any GA FW	Config 12 or 13	
USP-V/VM	TrueCopy/HUR	Any	Any	Alcatel 1696 DWDM	Any GA FW	Config 12 or 13	
USP-V/VM	TrueCopy/HUR	Any	Any	Brocade(McDATA) GigaMux	Any GA FW	Config 12 or 13	
USP-V/VM	TrueCopy/HUR	Any	Any	Brocade(McDATA) Passive Fiber Bandwidth Multiplier	latest	Config 12 or 13	
USP-V/VM	TrueCopy/HUR	Any	Any	Brocade(McDATA) Spectrum2000	latest	Config 12 or 13	
USP-V/VM	TrueCopy/HUR	Any	Any	Brocade(McDATA) Ultranet Wave Multiplexer 7600	Any GA FW	Config 12 or 13	
USP-V/VM	TrueCopy/HUR	Any	Any	Ciena CN4200 DWDM	latest	Config 12 or 13	
USP-V/VM	TrueCopy/HUR	Any	Any	Cisco ONS 15252, 15454, 15530, 15540	Any GA FW	Config 12 or 13	
USP-V/VM	TrueCopy/HUR	Any	Any	Ericsson ERION Metro	Any GA FW	Config 12 or 13	
USP-V/VM	TrueCopy/HUR	Any	Any	Hitachi AMN6200	latest	Config 12 or 13	
USP-V/VM	TrueCopy/HUR	Any	Any	Hitachi COM AMN601A	latest	Config 12 or 13	
USP-V/VM	TrueCopy/HUR	Any	Any	Hitachi COM AMN601GF	latest	Config 12 or 13	
USP-V/VM	TrueCopy/HUR	Any	Any	Huawei Metro 6100 DWDM	latest	Config 12 or 13	
USP-V/VM	TrueCopy/HUR	Any	Any	Huawei OSN 3800	latest	Config 12 or 13	
USP-V/VM	TrueCopy/HUR	Any	Any	Huawei OSN 6800	latest	Config 12 or 13	
USP-V/VM	TrueCopy/HUR	Any	Any	Huawei OSN 8800	latest	Config 12 or 13	
USP-V/VM	TrueCopy/HUR	Any	Any	LuxN WS3234	latest	Config 12 or 13	
USP-V/VM	TrueCopy/HUR	Any	Any	Meriton 3300 OSM DWDM	latest	Config 12 or 13	
USP-V/VM	TrueCopy/HUR	Any	Any	Movaz RAYexpress	latest	Config 12 or 13	
USP-V/VM	TrueCopy/HUR	Any	Any	MRV LD1600	latest	Config 12 or 13	
USP-V/VM	TrueCopy/HUR	Any	Any	NEC LE4100	latest	Config 12 or 13	
USP-V/VM	TrueCopy/HUR	Any	Any	Nortel 5200	Any GA FW	Config 12 or 13	
USP-V/VM	TrueCopy/HUR	Any	Any	Nortel 6500	Any GA FW	Config 12 or 13	
USP-V/VM	TrueCopy/HUR	Any	Any	Siemens hiT 7300	Any GA FW	Config 12 or 13	
USP-V/VM	TrueCopy/HUR	Any	Any	Silver Peak NX-2000, NX-3000, NX-5000, NX-7000, NX-8000, NX-9000	Any GA FW		Please check the SAN switch and Silver Peak's support matrices to ensure they both support the Silver Peak appliance connected to the SAN switch.
USP-V/VM	TrueCopy/HUR	Any	Any	Tellabs 7110	latest	Config 12 or 13	
USP-V/VM	TrueCopy/TCED	Any	Any	ZTE ZXMP M820/M720	latest	Config 12 or 13	
USP-V/VM	TrueCopy	None	Not Applicable	Brocade 7500	v5.2.0a	Config. 12	
USP-V/VM	TrueCopy	None	Not Applicable	Brocade 7500	v6.1.0b	Config. 12	
USP-V/VM	HUR	None	Not Applicable	Brocade 7800	v6.3.0a	Config. 12	
USP-V/VM	TrueCopy	None	Not Applicable	Brocade(McDATA) GigaMux	GA FW	Config. 12	
USP-V/VM	TrueCopy	None	Not Applicable	Brocade(McDATA) Passive Fiber Bandwidth Multiplier	GA FW	Config. 12	
USP-V/VM	TrueCopy	None	Not Applicable	Brocade(McDATA) Spectrum2000	GA FW	Config. 12	



# Hitachi TrueCopy/HUR Support USP-V/VM

Last Refresh: 26-Mar-2012 9:30am

The following compatibility/interoperability information provided by Hitachi Data Systems should be used as a reference guide only, because hardware and software levels and releases may vary, and numerous hardware and software combinations are possible. Hitachi Data Systems makes no representation or guarantee regarding the compatibility of specific hardware or software products.

**This information is provided "AS IS" without warranty of any kind, including any warranty of merchandising or fitness for a particular purpose.**

Cells highlighted in light blue are new entries.

Storage System	Function	Switch Model	Switch FW	Extender Model	Extender FW	Configuration	Note
USP-V/VM	TrueCopy	None	Not Applicable	Brocade(McDATA) Ultranet Wave	GA FW	Config. 12	
USP-V/VM	TrueCopy	None	Not Applicable	Ciena CN4200 ESOM	v7.1.0	Config. 12	
USP-V/VM	TrueCopy	None	Not Applicable	Ericsson ERION Metro	GA FW	Config. 12	
USP-V/VM	TrueCopy	None	Not Applicable	Hitachi COM AMN601A	GA FW	Config. 12	
USP-V/VM	TrueCopy	None	Not Applicable	Hitachi COM AMN601GF	GA FW	Config. 12	
USP-V/VM	TrueCopy	None	Not Applicable	LuxN WS3234	GA FW	Config. 12	
USP-V/VM	TrueCopy	None	Not Applicable	Movaz RAYexpress	GA FW	Config. 12	
USP-V/VM	TrueCopy	None	Not Applicable	NEC LE4100	GA FW	Config. 12	
USP-V/VM	TrueCopy	None	Not Applicable	Not Applicable	Not Applicable	Config. 12	
USP-V/VM	TrueCopy	None	Not Applicable	Tellabs 7110	GA FW	Config. 12	
USP-V/VM	HUR	Brocade 200E, 4012, 4016, 4018, 4020, 4024	v6.2.0g	Not Applicable	Not Applicable	Config. 11	
USP-V/VM	TrueCopy	Brocade 300, 5100, 5300, 7800, DCX, DCX-4S	v6.0	Brocade 7500	v6.0	Config. 13	
USP-V/VM	TrueCopy	Brocade 300, 5100, 5300, 7800, DCX, DCX-4S	v6.0.0c	Brocade 7500	v6.0.0c	Config. 13	
USP-V/VM	TrueCopy/HUR	Brocade 300, 5100, 5300, 7800, DCX, DCX-4S	v6.2.0	Brocade 7500	v6.2.0	Config. 13	
USP-V/VM	TrueCopy/HUR	Brocade 300, 5100, 5300, 7800, DCX, DCX-4S	v6.2.0c	Brocade 7500	v6.2.0c	Config. 13	
USP-V/VM	TrueCopy/HUR	Brocade 300, 5100, 5300, 7800, DCX, DCX-4S	v6.2.0e	Brocade 7500	v6.2.0e	Config. 13	
USP-V/VM	TrueCopy/HUR	Brocade 300, 5100, 5300, 7800, DCX, DCX-4S	v6.2.0g	Brocade 7500	v6.2.0g	Config. 13	
USP-V/VM	TrueCopy	Brocade 300, 5100, 5300, 7800, DCX, DCX-4S	v6.2.0g	Ciena CN4200 ESOM	v7.1.0	Config. 13	
USP-V/VM	HUR	Brocade 300, 5100, 5300, 7800, DCX, DCX-4S	v6.2.0g	CNT Edge 3000	v3.2.1.4	Config. 13	
USP-V/VM	TrueCopy/HUR	Brocade 300, 5100, 5300, 7800, DCX, DCX-4S	v6.2.1	Brocade 7500	v6.2.1	Config. 13	
USP-V/VM	TrueCopy/HUR	Brocade 300, 5100, 5300, 7800, DCX, DCX-4S	v6.2.1b	Brocade 7500	v6.2.1b	Config. 13	
USP-V/VM	TrueCopy/HUR	Brocade 300, 5100, 5300, 7800, DCX, DCX-4S	v6.2.2a	Brocade 7500	v6.2.2a	Config. 13	
USP-V/VM	TrueCopy/HUR	Brocade 300, 5100, 5300, 7800, DCX, DCX-4S	v6.2.2c	Brocade 7500	v6.2.2c	Config. 13	
USP-V/VM	TrueCopy/HUR	Brocade 300, 5100, 5300, 7800, DCX, DCX-4S	v6.2.2d	Brocade 7500	v6.2.2d	Config. 13	
USP-V/VM	TrueCopy/HUR	Brocade 300, 5100, 5300, 7800, DCX, DCX-4S	v6.2.2f	Brocade 7500	v6.2.2f	Config. 13	

The following compatibility/interoperability information provided by Hitachi Data Systems should be used as a reference guide only, because hardware and software levels and releases may vary, and numerous hardware and software combinations are possible. Hitachi Data Systems makes no representation or guarantee regarding the compatibility of specific hardware or software products.

**This information is provided "AS IS" without warranty of any kind, including any warranty of merchandising or fitness for a particular purpose.**

Cells highlighted in light blue are new entries.

Storage System	Function	Switch Model	Switch FW	Extender Model	Extender FW	Configuration	Note
USP-V/VM	TrueCopy/HUR	Brocade 300, 5100, 5300, 7800, DCX, DCX-4S	v6.3.0	Brocade 7500	v6.3.0	Config. 13	
USP-V/VM	TrueCopy/HUR	Brocade 300, 5100, 5300, 7800, DCX, DCX-4S	v6.3.0a	Brocade 7500	v6.3.0a	Config. 13	
USP-V/VM	TrueCopy/HUR	Brocade 300, 5100, 5300, 7800, DCX, DCX-4S	v6.3.0b	Brocade 7800	v6.3.0b	Config. 13	
USP-V/VM	HUR	Brocade 300, 5100, 5300, 7800, DCX, DCX-4S	v6.3.0d	Brocade 7800	v6.3.0b	Config. 13	
USP-V/VM	TrueCopy/HUR	Brocade 300, 5100, 5300, 7800, DCX, DCX-4S	v6.3.0d	Brocade FX8-24	v6.3.0d	Config. 13	
USP-V/VM	TrueCopy	Brocade 300, 5100, 5300, 7800, DCX, DCX-4S	v6.3.1a	Not Applicable	Not Applicable	Config. 11	
USP-V/VM	TrueCopy	Brocade 300, 5100, 5300, 7800, DCX, DCX-4S	v6.3.1a	Brocade 7500	v6.3.1a	Config. 13	
USP-V/VM	HUR	Brocade 300, 5100, 5300, 7800, DCX, DCX-4S	v6.3.1a	Brocade 7800	v6.3.1a	Config. 13	
USP-V/VM	TrueCopy/HUR	Brocade 300, 5100, 5300, 7800, DCX, DCX-4S	v6.3.1a	Brocade FX8-24	v6.3.1a	Config. 13	
USP-V/VM	TrueCopy/HUR	Brocade 300, 5100, 5300, 7800, DCX, DCX-4S	v6.3.2	Brocade 7800	v6.3.2	Config. 13	
USP-V/VM	TrueCopy	Brocade 300, 5100, 5300, 7800, DCX, DCX-4S	v6.3.2	Brocade FX8-24	v6.3.2	Config. 13	
USP-V/VM	HUR	Brocade 300, 5100, 5300, 7800, DCX, DCX-4S	v6.3.2	Not Applicable	Not Applicable	Config. 11	
USP-V/VM	HUR	Brocade 300, 5100, 5300, 7800, DCX, DCX-4S	v6.3.2a	Brocade 7800	v6.3.2a	Config. 13	
USP-V/VM	TrueCopy	Brocade 300, 5100, 5300, 7800, DCX, DCX-4S	v6.3.2a	Brocade FX8-24	v6.3.2a	Config. 13	
USP-V/VM	HUR	Brocade 300, 5100, 5300, 7800, DCX, DCX-4S	v6.3.2b	Brocade 7800	v6.3.2b	Config. 13	
USP-V/VM	TrueCopy	Brocade 300, 5100, 5300, 7800, DCX, DCX-4S	v6.3.2b	Brocade FX8-24	v6.3.2b	Config. 13	
USP-V/VM	HUR	Brocade 300, 5100, 5300, 7800, DCX, DCX-4S	v6.3.2c	Brocade 7800	v6.3.2c	Config. 13	
USP-V/VM	TrueCopy	Brocade 300, 5100, 5300, 7800, DCX, DCX-4S	v6.3.2c	Brocade FX8-24	v6.3.2c	Config. 13	
USP-V/VM	HUR	Brocade 300, 5100, 5300, 7800, DCX, DCX-4S	v6.3.2d	Brocade 7800	v6.3.2d	Config. 13	
USP-V/VM	TrueCopy	Brocade 300, 5100, 5300, 7800, DCX, DCX-4S	v6.3.2d	Brocade FX8-24	v6.3.2d	Config. 13	

The following compatibility/interoperability information provided by Hitachi Data Systems should be used as a reference guide only, because hardware and software levels and releases may vary, and numerous hardware and software combinations are possible. Hitachi Data Systems makes no representation or guarantee regarding the compatibility of specific hardware or software products.

**This information is provided "AS IS" without warranty of any kind, including any warranty of merchandising or fitness for a particular purpose.**

Cells highlighted in light blue are new entries.

Storage System	Function	Switch Model	Switch FW	Extender Model	Extender FW	Configuration	Note
USP-V/VM	HUR	Brocade 300, 5100, 5300, 7800, DCX, DCX-4S	v6.3.2e	Brocade 7800	v6.3.2e	Config. 13	
USP-V/VM	TrueCopy	Brocade 300, 5100, 5300, 7800, DCX, DCX-4S	v6.3.2e	Brocade FX8-24	v6.3.2e	Config. 13	
USP-V/VM	TrueCopy	Brocade 300, 5100, 5300, 7800, DCX, DCX-4S	v6.4.0a	Brocade 7500	v6.4.0a	Config. 13	
USP-V/VM	TrueCopy/HUR	Brocade 300, 5100, 5300, 7800, DCX, DCX-4S	v6.4.0a	Brocade FX8-24	v6.4.0a	Config. 13	
USP-V/VM	TrueCopy	Brocade 300, 5100, 5300, 7800, DCX, DCX-4S	v6.4.0a	Not Applicable	Not Applicable	Config. 11	
USP-V/VM	TrueCopy/HUR	Brocade 300, 5100, 5300, 7800, DCX, DCX-4S	v6.4.0c	Brocade 7800	v6.4.0c	Config. 13	
USP-V/VM	HUR	Brocade 300, 5100, 5300, 7800, DCX, DCX-4S	v6.4.0c	Brocade FX8-24	v6.4.0c	Config. 13	
USP-V/VM	TrueCopy/HUR	Brocade 300, 5100, 5300, 7800, DCX, DCX-4S	v6.4.1	Brocade FX8-24	v6.4.1	Config. 13	
USP-V/VM	TrueCopy	Brocade 300, 5100, 5300, 7800, DCX, DCX-4S	v6.4.1	Not Applicable	Not Applicable	Config. 11	
USP-V/VM	TrueCopy	Brocade 300, 5100, 5300, 7800, DCX, DCX-4S	v6.4.1a	Not Applicable	Not Applicable	Config. 11	
USP-V/VM	TrueCopy/HUR	Brocade 300, 5100, 5300, 7800, DCX, DCX-4S	v6.4.1b	Brocade FX8-24	v6.4.1b	Config. 13	
USP-V/VM	TrueCopy/HUR	Brocade 300, 5100, 5300, 7800, DCX, DCX-4S	v6.4.2	Brocade FX8-24	v6.4.2	Config. 13	
USP-V/VM	TrueCopy/HUR	Brocade 300, 5100, 5300, 7800, DCX, DCX-4S	v6.4.2a	Brocade FX8-24	v6.4.2a	Config. 13	
USP-V/VM	TrueCopy/HUR	Brocade 300, 5100, 5300, 7800, DCX, DCX-4S	v6.4.2b	Brocade FX8-24	v6.4.2b	Config. 13	
USP-V/VM	TrueCopy	Brocade 4100, 4120, 4140, 4900, 48000, 7500	v5.3.0b	Brocade 48000 (FR4-18i)	v5.3.0b	Config. 13	
USP-V/VM	TrueCopy	Brocade 4100, 4120, 4140, 4900, 48000, 7500	v5.3.0c	Brocade 7500	v5.3.0c	Config. 13	
USP-V/VM	TrueCopy	Brocade 4100, 4120, 4140, 4900, 48000, 7500	v5.3.0d	Not Applicable	Not Applicable	Config. 11	
USP-V/VM	TrueCopy	Brocade 4100, 4120, 4140, 4900, 48000, 7500	v5.3.1a	Brocade 7500	v5.3.1a	Config. 13	
USP-V/VM	TrueCopy	Brocade 4100, 4120, 4140, 4900, 48000, 7500	v5.3.1a	Not Applicable	Not Applicable	Config. 11	
USP-V/VM	TrueCopy	Brocade 4100, 4120, 4140, 4900, 48000, 7500	v6.1.0h	Ciena CN4200 ESOM	v7.1.0	Config. 13	

The following compatibility/interoperability information provided by Hitachi Data Systems should be used as a reference guide only, because hardware and software levels and releases may vary, and numerous hardware and software combinations are possible. Hitachi Data Systems makes no representation or guarantee regarding the compatibility of specific hardware or software products.

**This information is provided "AS IS" without warranty of any kind, including any warranty of merchandising or fitness for a particular purpose.**

Cells highlighted in light blue are new entries.

Storage System	Function	Switch Model	Switch FW	Extender Model	Extender FW	Configuration	Note
USP-V/VM	TrueCopy/HUR	Brocade 4100, 4120, 4140, 4900, 48000, 7500	v6.3.1a	Not Applicable	Not Applicable	Config. 11	
USP-V/VM	TrueCopy	Brocade 4100, 4120, 4140, 4900, 48000, 7500	v6.4.0a	Brocade 7500	v6.4.0a	Config. 13	
USP-V/VM	TrueCopy	Brocade 4100, 4120, 4140, 4900, 48000, 7500	v6.4.0c	Brocade 7500	v6.4.0c	Config. 13	
USP-V/VM	TrueCopy	Brocade 4100, 4120, 4140, 4900, 48000, 7500	v6.4.1	Brocade 7500	v6.4.1	Config. 13	
USP-V/VM	TrueCopy	Brocade 4100, 4120, 4140, 4900, 48000, 7500	v6.4.1b	Brocade 7500	v6.4.1b	Config. 13	
USP-V/VM	TrueCopy	Brocade 4100, 4120, 4140, 4900, 48000, 7500	v6.4.2	Brocade 7500	v6.4.2	Config. 13	
USP-V/VM	TrueCopy	Brocade 4100, 4120, 4140, 4900, 48000, 7500	v6.4.2a	Brocade 7500	v6.4.2a	Config. 13	
USP-V/VM	TrueCopy	Brocade 4100, 4120, 4140, 4900, 48000, 7500	v6.4.2b	Brocade 7500	v6.4.2b	Config. 13	
USP-V/VM	TrueCopy	Brocade 48000 (FC4-48)	v5.3.0	Brocade 7500	v5.3.0	Config. 13	
USP-V/VM	TrueCopy	Brocade 48000 (FC4-48)	v5.3.0b	Brocade 7500	v5.3.0b	Config. 13	
USP-V/VM	HUR	Brocade 6505, 6510, DCX8510	v7.0.0	Brocade 7800	v7.0.0	Config. 13	
USP-V/VM	HUR	Brocade 6505, 6510, DCX8510	v7.0.0	Brocade FX8-24	v7.0.0	Config. 13	
USP-V/VM	HUR	Brocade 6505, 6510, DCX8510	v7.0.0a	Brocade 7800	v7.0.0a	Config. 13	
USP-V/VM	HUR	Brocade 6505, 6510, DCX8510	v7.0.0a	Brocade FX8-24	v7.0.0a	Config. 13	
USP-V/VM	HUR	Brocade 6505, 6510, DCX8510	v7.0.0b	Brocade 7800	v7.0.0b	Config. 13	
USP-V/VM	HUR	Brocade 6505, 6510, DCX8510	v7.0.0b	Brocade FX8-24	v7.0.0b	Config. 13	
USP-V/VM	HUR	Brocade 6505, 6510, DCX8510	v7.0.0c	Brocade 7800	v7.0.0c	Config. 13	
USP-V/VM	HUR	Brocade 6505, 6510, DCX8510	v7.0.0c	Brocade FX8-24	v7.0.0c	Config. 13	
USP-V/VM	TrueCopy	Brocade 6505, 6510, DCX8510	v7.0.0c	Not Applicable	Not Applicable	Config. 11	
USP-V/VM	HUR	Brocade 6505, 6510, DCX8510	v7.0.1	Brocade 7800	v7.0.1	Config. 13	
USP-V/VM	HUR	Brocade 6505, 6510, DCX8510	v7.0.1	Brocade FX8-24	v7.0.1	Config. 13	
USP-V/VM	TrueCopy	Cisco MDS 9020	v2.1(3)	Cisco MDS 9513	GA FW	Config. 13	Please check the SAN switch and F5's support matrices to ensure they both support the F5 appliance connected to the SAN switch.
USP-V/VM	TrueCopy/HUR	Cisco MDS 9124, 9134, 9216i, 9222i, 9513	Any	F5 BIG-IP 3900, 6900, 8900	Any GA FW		Please check the SAN switch and Riverbed's support matrices to ensure they both support the Riverbed appliance connected to the SAN switch.
USP-V/VM	TrueCopy/HUR	Cisco MDS 9124, 9134, 9216i, 9222i, 9513	Any	Riverbed 5050, 6020, 6050, 7050	Any GA FW		
USP-V/VM	TrueCopy	Cisco MDS 9124, 9134, 9222i, 9513	v3.2(1a)	Cisco FCIP Blade	Bundled	Config. 13	
USP-V/VM	TrueCopy	Cisco MDS 9124, 9134, 9222i, 9513	v3.2(2c)	Cisco FCIP Blade	Bundled	Config. 13	

The following compatibility/interoperability information provided by Hitachi Data Systems should be used as a reference guide only, because hardware and software levels and releases may vary, and numerous hardware and software combinations are possible. Hitachi Data Systems makes no representation or guarantee regarding the compatibility of specific hardware or software products.

**This information is provided "AS IS" without warranty of any kind, including any warranty of merchandising or fitness for a particular purpose.**

Cells highlighted in light blue are new entries.

Storage System	Function	Switch Model	Switch FW	Extender Model	Extender FW	Configuration	Note
USP-V/VM	HUR	Cisco MDS 9124, 9134, 9222i, 9513	v3.2(2c)	Cisco FCIP Blade	Bundled	Config. 13	
USP-V/VM	TrueCopy	Cisco MDS 9124, 9134, 9222i, 9513	v3.2(3a)	Cisco FCIP Blade	Bundled	Config. 13	
USP-V/VM	HUR	Cisco MDS 9124, 9134, 9222i, 9513	v3.3(1a)	Cisco FCIP Blade	Bundled	Config. 13	
USP-V/VM	TrueCopy/HUR	Cisco MDS 9124, 9134, 9222i, 9513	v3.3(1c)	CIENA CN2000	v5.1.1	Config. 13	
USP-V/VM	TrueCopy	Cisco MDS 9124, 9134, 9222i, 9513	v3.3(1c)	Cisco FCIP Blade	Bundled	Config. 13	
USP-V/VM	HUR	Cisco MDS 9124, 9134, 9222i, 9513	v3.3(2)	Cisco FCIP Blade	Bundled	Config. 13	
USP-V/VM	HUR	Cisco MDS 9124, 9134, 9222i, 9513	v3.3(3)	Cisco FCIP Blade	Bundled	Config. 13	
USP-V/VM	HUR	Cisco MDS 9124, 9134, 9222i, 9513	v3.3(4)	Cisco FCIP Blade	Bundled	Config. 13	
USP-V/VM	TrueCopy	Cisco MDS 9124, 9134, 9222i, 9513	v3.3(4)	Not Applicable	Not Applicable	Config. 11	
USP-V/VM	TrueCopy/HUR	Cisco MDS 9124, 9134, 9222i, 9513	v3.3(4a)	Cisco FCIP Blade	Bundled	Config. 13	
USP-V/VM	TrueCopy/HUR	Cisco MDS 9124, 9134, 9222i, 9513	v3.3(5)	Cisco FCIP Blade	Bundled	Config. 13	
USP-V/VM	TrueCopy/HUR	Cisco MDS 9124, 9134, 9222i, 9513	v3.3(5a)	Cisco FCIP Blade	Bundled	Config. 13	
USP-V/VM	TrueCopy	Cisco MDS 9124, 9134, 9222i, 9513	v4.1(1b)	Cisco FCIP Blade	Bundled	Config. 13	
USP-V/VM	TrueCopy/HUR	Cisco MDS 9124, 9134, 9222i, 9513	v4.1(1c)	Cisco FCIP Blade	Bundled	Config. 13	
USP-V/VM	HUR	Cisco MDS 9124, 9134, 9222i, 9513	v4.1(3)	Cisco FCIP Blade	Bundled	Config. 13	
USP-V/VM	HUR	Cisco MDS 9124, 9134, 9222i, 9513	v4.1(3a)	Cisco FCIP Blade	Bundled	Config. 13	
USP-V/VM	HUR	Cisco MDS 9124, 9134, 9222i, 9513	v4.1(3a)	Not Applicable	Not Applicable	Config. 11	
USP-V/VM	HUR	Cisco MDS 9124, 9134, 9222i, 9513	v4.2(1a)	Cisco FCIP Blade	Bundled	Config. 13	
USP-V/VM	TrueCopy	Cisco MDS 9124, 9134, 9222i, 9513	v4.2(3)	CIENA CN2000	GA FW	Config. 13	
USP-V/VM	HUR	Cisco MDS 9124, 9134, 9222i, 9513	v4.2(3)	Ciena CN4200 ESOM	v7.1.0	Config. 13	
USP-V/VM	HUR	Cisco MDS 9124, 9134, 9222i, 9513	v4.2(3)	Cisco FCIP Blade	Bundled	Config. 13	
USP-V/VM	HUR	Cisco MDS 9124, 9134, 9222i, 9513	v4.2(3a)	Cisco FCIP Blade	Bundled	Config. 13	
USP-V/VM	TrueCopy/HUR	Cisco MDS 9124, 9134, 9222i, 9513	v4.2(3a)	Not Applicable	Not Applicable	Config. 11	
USP-V/VM	TrueCopy/HUR	Cisco MDS 9124, 9134, 9222i, 9513	v4.2(5)	Cisco FCIP Blade	Bundled	Config. 13	
USP-V/VM	TrueCopy/HUR	Cisco MDS 9124, 9134, 9222i, 9513	v4.2(7)	Cisco FCIP Blade	Bundled	Config. 13	
USP-V/VM	TrueCopy/HUR	Cisco MDS 9124, 9134, 9222i, 9513	v4.2(7b)	Cisco FCIP Blade	Bundled	Config. 13	
USP-V/VM	TrueCopy/HUR	Cisco MDS 9124, 9134, 9222i, 9513	v4.2(7e)	Cisco FCIP Blade	Bundled	Config. 13	
USP-V/VM	HUR	Cisco MDS 9124, 9134, 9222i, 9513	v5.0(1a)	Cisco FCIP Blade	Bundled	Config. 13	
USP-V/VM	TrueCopy/HUR	Cisco MDS 9124, 9134, 9222i, 9513	v5.0(4c)	Cisco FCIP Blade	Bundled	Config. 13	
USP-V/VM	TrueCopy/HUR	Cisco MDS 9124, 9134, 9222i, 9513	v5.0(4d)	Cisco FCIP Blade	Bundled	Config. 13	
USP-V/VM	TrueCopy/HUR	Cisco MDS 9124, 9134, 9222i, 9513	v5.0(7)	Cisco FCIP Blade	Bundled	Config. 13	
USP-V/VM	TrueCopy/HUR	Cisco MDS 9124, 9134, 9222i, 9513	v5.2(1)	Cisco FCIP Blade	Bundled	Config. 13	
USP-V/VM	TrueCopy/HUR	Cisco MDS 9124, 9134, 9222i, 9513	v5.2(2)	Cisco FCIP Blade	Bundled	Config. 13	
USP-V/VM	TrueCopy/HUR	Cisco MDS 9124, 9134, 9222i, 9513	v5.2(2a)	Cisco FCIP Blade	Bundled	Config. 13	
USP-V/VM	TrueCopy	Cisco MDS 9124, 9513	v3.1(3)	Cisco FCIP Blade	Bundled	Config. 13	
USP-V/VM	HUR	Cisco MDS 9148, 9222i (8G), 9506 (8G) 9509 (8G) 9513 (8G)	v5.(01a)	Ciena CN4200 ESOM	v7.1.0	Config. 13	
USP-V/VM	TrueCopy	Cisco MDS 9222i (8G), 9506 (8G) 9509 (8G) 9513 (8G)	v4.1(1b)	Cisco FCIP Blade	Bundled	Config. 13	
USP-V/VM	TrueCopy/HUR	Cisco MDS 9222i (8G), 9506 (8G) 9509 (8G) 9513 (8G)	v4.1(1c)	Cisco FCIP Blade	Bundled	Config. 13	

The following compatibility/interoperability information provided by Hitachi Data Systems should be used as a reference guide only, because hardware and software levels and releases may vary, and numerous hardware and software combinations are possible. Hitachi Data Systems makes no representation or guarantee regarding the compatibility of specific hardware or software products.

**This information is provided "AS IS" without warranty of any kind, including any warranty of merchandising or fitness for a particular purpose.**

Cells highlighted in light blue are new entries.

Storage System	Function	Switch Model	Switch FW	Extender Model	Extender FW	Configuration	Note
USP-V/VM	HUR	Cisco MDS 9222i (8G), 9506 (8G) 9509 (8G) 9513 (8G)	v4.1(3)	Cisco FCIP Blade	Bundled	Config. 13	
USP-V/VM	HUR	Cisco MDS 9222i (8G), 9506 (8G) 9509 (8G) 9513 (8G)	v4.1(3a)	Cisco FCIP Blade	Bundled	Config. 13	
USP-V/VM	TrueCopy	Cisco MDS 9222i (8G), 9506 (8G) 9509 (8G) 9513 (8G)	v4.2(7b)	Cisco FCIP Blade	Bundled	Config. 13	
USP-V/VM	TrueCopy/HUR	Cisco MDS 9222i (8G), 9506 (8G) 9509 (8G) 9513 (8G)	v4.2(7e)	Cisco FCIP Blade	Bundled	Config. 13	
USP-V/VM	TrueCopy/HUR	Cisco MDS 9222i (8G), 9506 (8G) 9509 (8G) 9513 (8G)	v5.0(4c)	Cisco FCIP Blade	Bundled	Config. 13	
USP-V/VM	TrueCopy/HUR	Cisco MDS 9222i (8G), 9506 (8G) 9509 (8G) 9513 (8G)	v5.0(4d)	Cisco FCIP Blade	Bundled	Config. 13	
USP-V/VM	TrueCopy/HUR	Cisco MDS 9222i (8G), 9506 (8G) 9509 (8G) 9513 (8G)	v5.0(7)	Cisco FCIP Blade	Bundled	Config. 13	
USP-V/VM	TrueCopy/HUR	Cisco MDS 9222i (8G), 9506 (8G) 9509 (8G) 9513 (8G)	v5.2(1)	Cisco FCIP Blade	Bundled	Config. 13	
USP-V/VM	TrueCopy/HUR	Cisco MDS 9222i (8G), 9506 (8G) 9509 (8G) 9513 (8G)	v5.2(2)	Cisco FCIP Blade	Bundled	Config. 13	
USP-V/VM	TrueCopy/HUR	Cisco MDS 9222i (8G), 9506 (8G) 9509 (8G) 9513 (8G)	v5.2(2a)	Cisco FCIP Blade	Bundled	Config. 13	
USP-V/VM	TrueCopy	Cisco MDS 9506, 9509, 9120, 9140, 9216, 9216i	v3.1(3)	Cisco FCIP Blade	Bundled	Config. 13	
USP-V/VM	TrueCopy	Cisco MDS 9506, 9509, 9120, 9140, 9216, 9216i	v3.1(3a)	Not Applicable	Not Applicable	Config. 11	
USP-V/VM	TrueCopy	Cisco MDS 9506, 9509, 9120, 9140, 9216, 9216i	v3.2(1a)	Cisco FCIP Blade	Bundled	Config. 13	
USP-V/VM	TrueCopy	Cisco MDS 9506, 9509, 9120, 9140, 9216, 9216i	v3.2(2c)	Cisco FCIP Blade	Bundled	Config. 13	
USP-V/VM	HUR	Cisco MDS 9506, 9509, 9120, 9140, 9216, 9216i	v3.3(1a)	Cisco FCIP Blade	Bundled	Config. 13	
USP-V/VM	TrueCopy	Cisco MDS 9506, 9509, 9120, 9140, 9216, 9216i	v3.3(1c)	Cisco FCIP Blade	Bundled	Config. 13	
USP-V/VM	HUR	Cisco MDS 9506, 9509, 9120, 9140, 9216, 9216i	v3.3(2)	Cisco FCIP Blade	Bundled	Config. 13	
USP-V/VM	HUR	Cisco MDS 9506, 9509, 9120, 9140, 9216, 9216i	v3.3(3)	Cisco FCIP Blade	Bundled	Config. 13	
USP-V/VM	HUR	Cisco MDS 9506, 9509, 9120, 9140, 9216, 9216i	v3.3(4)	Cisco FCIP Blade	Bundled	Config. 13	
USP-V/VM	TrueCopy/HUR	Cisco MDS 9506, 9509, 9120, 9140, 9216, 9216i	v3.3(4a)	Cisco FCIP Blade	Bundled	Config. 13	

The following compatibility/interoperability information provided by Hitachi Data Systems should be used as a reference guide only, because hardware and software levels and releases may vary, and numerous hardware and software combinations are possible. Hitachi Data Systems makes no representation or guarantee regarding the compatibility of specific hardware or software products.

**This information is provided "AS IS" without warranty of any kind, including any warranty of merchandising or fitness for a particular purpose.**

Cells highlighted in light blue are new entries.

Storage System	Function	Switch Model	Switch FW	Extender Model	Extender FW	Configuration	Note
USP-V/VM	TrueCopy/HUR	Cisco MDS 9506, 9509, 9120, 9140, 9216, 9216i	v3.3(5)	Cisco FCIP Blade	Bundled	Config. 13	
USP-V/VM	TrueCopy/HUR	Cisco MDS 9506, 9509, 9120, 9140, 9216, 9216i	v3.3(5a)	Cisco FCIP Blade	Bundled	Config. 13	
USP-V/VM	TrueCopy	Cisco MDS 9506, 9509, 9120, 9140, 9216, 9216i	v4.1(1b)	Cisco FCIP Blade	Bundled	Config. 13	
USP-V/VM	TrueCopy/HUR	Cisco MDS 9506, 9509, 9120, 9140, 9216, 9216i	v4.1(1c)	Cisco FCIP Blade	Bundled	Config. 13	
USP-V/VM	HUR	Cisco MDS 9506, 9509, 9120, 9140, 9216, 9216i	v4.1(3)	Cisco FCIP Blade	Bundled	Config. 13	
USP-V/VM	HUR	Cisco MDS 9506, 9509, 9120, 9140, 9216, 9216i	v4.1(3a)	Cisco FCIP Blade	Bundled	Config. 13	
USP-V/VM	HUR	Cisco MDS 9506, 9509, 9120, 9140, 9216, 9216i	v4.2(1a)	Cisco FCIP Blade	Bundled	Config. 13	
USP-V/VM	HUR	Cisco MDS 9506, 9509, 9120, 9140, 9216, 9216i	v4.2(3)	Cisco FCIP Blade	Bundled	Config. 13	
USP-V/VM	HUR	Cisco MDS 9506, 9509, 9120, 9140, 9216, 9216i	v4.2(3)	QLogic iSR6250	v3.1.0.1	Config. 13	
USP-V/VM	HUR	Cisco MDS 9506, 9509, 9120, 9140, 9216, 9216i	v4.2(3)	QLogic iSR6250	v3.1.0.2	Config. 13	
USP-V/VM	TrueCopy	Cisco MDS 9506, 9509, 9120, 9140, 9216, 9216i	v4.2(5)	Cisco FCIP Blade	Bundled	Config. 13	
USP-V/VM	TrueCopy/HUR	Cisco MDS 9506, 9509, 9120, 9140, 9216, 9216i	v4.2(7)	Cisco FCIP Blade	Bundled	Config. 13	
USP-V/VM	TrueCopy/HUR	Cisco MDS 9506, 9509, 9120, 9140, 9216, 9216i	v4.2(7b)	Cisco FCIP Blade	Bundled	Config. 13	
USP-V/VM	TrueCopy/HUR	Cisco MDS 9506, 9509, 9120, 9140, 9216, 9216i	v4.2(7e)	Cisco FCIP Blade	Bundled	Config. 13	
USP-V/VM	TrueCopy	McDATA 10000	v9.02.00	McDATA Eclipse 2640	v5.01	Config. 13	
USP-V/VM	TrueCopy	McDATA 10000	v9.06.00	McDATA Eclipse 1620	v5.01	Config. 13	
USP-V/VM	TrueCopy	McDATA 10000	v9.07.02	Not Applicable	Not Applicable	Config. 11	
USP-V/VM	TrueCopy/HUR	McDATA 10000	v9.09.07	Brocade FR4-18i	v6.1.0a	Config. 13	
USP-V/VM	TrueCopy/HUR	McDATA 10000	v9.09.08	Brocade FR4-18i	v6.1.0a	Config. 13	
USP-V/VM	TrueCopy	McDATA 10000 (4G)	v9.02.00	McDATA Eclipse 2640	v5.01	Config. 13	
USP-V/VM	TrueCopy	McDATA 10000 (4G)	v9.06.00	McDATA Eclipse 2640	v5.01	Config. 13	
USP-V/VM	TrueCopy/HUR	McDATA 10000 (4G)	v9.09.07	Brocade FR4-18i	v6.4.1b	Config. 13	
USP-V/VM	TrueCopy/HUR	McDATA 10000 (4G)	v9.09.08	Brocade 7500	v6.4.1b	Config. 13	
USP-V/VM	TrueCopy/HUR	McDATA 10000 (4G)	v9.09.08	Brocade FR4-18i	v6.4.1b	Config. 13	
USP-V/VM	TrueCopy	McDATA 3016, 3032, 3216, 3232, 4500, 6064, 6140	v9.06.00	McDATA Eclipse 1620	v5.01	Config. 13	

The following compatibility/interoperability information provided by Hitachi Data Systems should be used as a reference guide only, because hardware and software levels and releases may vary, and numerous hardware and software combinations are possible. Hitachi Data Systems makes no representation or guarantee regarding the compatibility of specific hardware or software products.

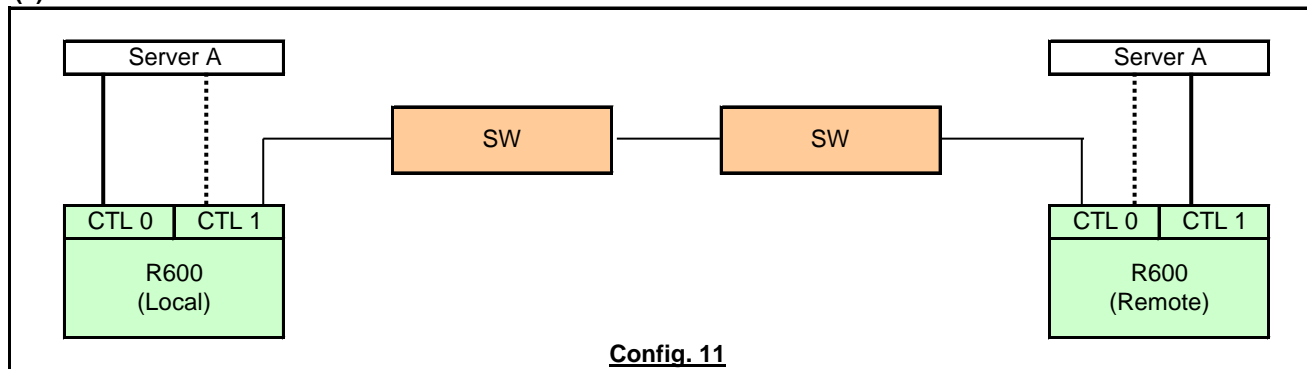
**This information is provided "AS IS" without warranty of any kind, including any warranty of merchandising or fitness for a particular purpose.**

Cells highlighted in light blue are new entries.

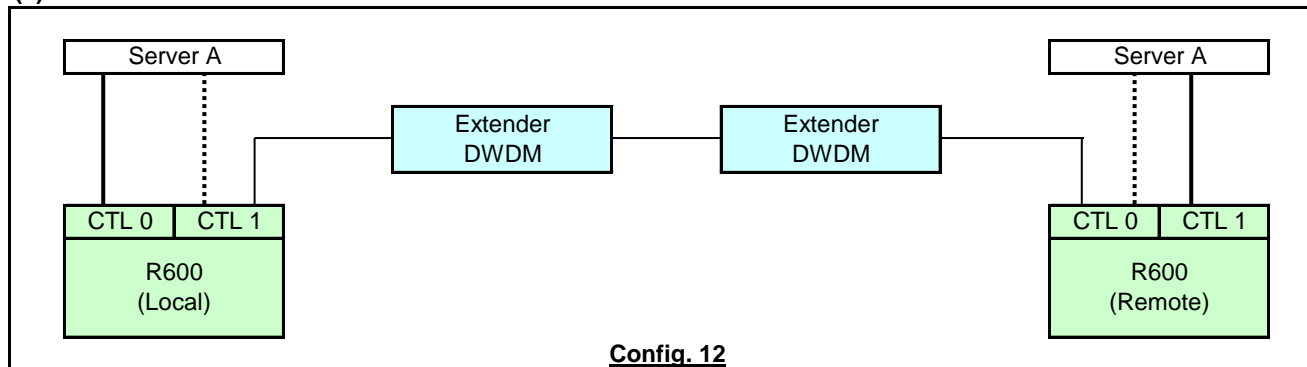
Storage System	Function	Switch Model	Switch FW	Extender Model	Extender FW	Configuration	Note
USP-V/VM	TrueCopy	McDATA 3016, 3032, 3216, 3232, 4500, 6064, 6140	v9.06.00	McDATA Eclipse 2640	v5.01	Config. 13	
USP-V/VM	HUR	McDATA 3016, 3032, 3216, 3232, 4500, 6064, 6140	v9.06.02	Cisco MDS 9222i	v4.1(1b)	Config. 13	
USP-V/VM	HUR	McDATA 3016, 3032, 3216, 3232, 4500, 6064, 6140	v9.08.01	Not Applicable	Not Applicable	Config. 11	
USP-V/VM	TrueCopy	McDATA 4400, 4700	v9.02.00	McDATA Eclipse 2640	v5.01	Config. 13	
USP-V/VM	TrueCopy	McDATA 4400, 4700	v9.06.00	McDATA Eclipse 2640	v5.01	Config. 13	
USP-V/VM	TrueCopy	McDATA 4400, 4700	v9.09.02	CIENA CN2000	v5.1.1	Config. 13	
USP-V/VM	TrueCopy	McDATA 4400, 4700	v9.09.09	McDATA Eclipse 1620	v5.01	Config. 13	
USP-V/VM	TrueCopy	McDATA 4400, 4700	v9.09.09	McDATA Eclipse 2640	v5.01	Config. 13	
USP-V/VM	TrueCopy	McDATA 6064 (4G), 6140 (4G)	v9.06.00	McDATA Eclipse 2640	v5.01	Config. 13	
USP-V/VM	TrueCopy	McDATA 6064 (4G), 6140 (4G)	v9.09.06	Not Applicable	Not Applicable	Config. 11	
USP-V/VM	TrueCopy/HUR	McDATA 6064 (4G), 6140 (4G)	v9.09.07	Brocade 7800	v6.4.0c	Config. 13	
USP-V/VM	HUR	QLogic 5600	v7.4.0.16	QLogic iSR6250	v3.1.0.2	Config. 13	
USP-V/VM	HUR	QLogic 5800	v7.4.0.16	QLogic iSR6250	v3.1.0.2	Config. 13	
USP-V/VM	HUR	QLogic 9000	v7.8.0.04	QLogic iSR6250	v3.1.0.2	Config. 13	
USP-V/VM	TrueCopy/HUR	QLogic 9000	v7.8.0.08	QLogic iSR6250	v3.2.3.1	Config. 13	

(2) Remote Copy Configuration Pattern

(2)-1 Switch Connection



(2)-2 Extender/DWDM Direct Connection



(2)-3 Extender/DWDM Switch Connection

