

The following compatibility/interoperability information provided by Hitachi Data Systems should be used as a reference guide only, because hardware and software levels and releases may vary, and numerous

**This information is provided "AS IS" without warranty of any kind, including any warranty of merchandising or fitness for a particular purpose.**

Cells highlighted in light blue are new entries.

Storage System	Function	Switch Model	Switch F/W	Extender Model	Extender F/W	Configuration	Note
USP - NSC	TrueCopy/HUR	Any	Any	ADVA FSP2000 DWDM	Any GA FW	Config 12 or 13	
USP - NSC	TrueCopy/HUR	Any	Any	ADVA FSP3000 DWDM	Any GA FW	Config 12 or 13	
USP - NSC	TrueCopy/HUR	Any	Any	Alcatel 1696 DWDM	Any GA FW	Config 12 or 13	
USP - NSC	TrueCopy/HUR	Any	Any	Brocade(McDATA) GigaMux	Any GA FW	Config 12 or 13	
USP - NSC	TrueCopy/HUR	Any	Any	Brocade(McDATA) Passive Fiber Bandwidth Multiplier	latest	Config 12 or 13	
USP - NSC	TrueCopy/HUR	Any	Any	Brocade(McDATA) Spectrum2000	latest	Config 12 or 13	
USP - NSC	TrueCopy/HUR	Any	Any	Brocade(McDATA) Ultranet Wave Multiplexer 7600	Any GA FW	Config 12 or 13	
USP - NSC	TrueCopy/HUR	Any	Any	Ciena CN4200 DWDM	latest	Config 12 or 13	
USP - NSC	TrueCopy/HUR	Any	Any	Cisco ONS 15252, 15454, 15530, 15540	Any GA FW	Config 12 or 13	
USP - NSC	TrueCopy/HUR	Any	Any	Ericsson ERION Metro	Any GA FW	Config 12 or 13	
USP - NSC	TrueCopy/HUR	Any	Any	Hitachi AMN6200	latest	Config 12 or 13	
USP - NSC	TrueCopy/HUR	Any	Any	Hitachi COM AMN601A	latest	Config 12 or 13	
USP - NSC	TrueCopy/HUR	Any	Any	Hitachi COM AMN601GF	latest	Config 12 or 13	
USP - NSC	TrueCopy/HUR	Any	Any	Huawei Metro 6100 DWDM	latest	Config 12 or 13	
USP - NSC	TrueCopy/HUR	Any	Any	Huawei OSN 3800	latest	Config 12 or 13	
USP - NSC	TrueCopy/HUR	Any	Any	Huawei OSN 6800	latest	Config 12 or 13	
USP - NSC	TrueCopy/HUR	Any	Any	Huawei OSN 8800	latest	Config 12 or 13	
USP - NSC	TrueCopy/HUR	Any	Any	LuxN WS3234	latest	Config 12 or 13	
USP - NSC	TrueCopy/HUR	Any	Any	Meriton 3300 OSM DWDM	latest	Config 12 or 13	
USP - NSC	TrueCopy/HUR	Any	Any	Movaz RAYexpress	latest	Config 12 or 13	
USP - NSC	TrueCopy/HUR	Any	Any	MRV LD1600	latest	Config 12 or 13	
USP - NSC	TrueCopy/HUR	Any	Any	NEC LE4100	latest	Config 12 or 13	
USP - NSC	TrueCopy/HUR	Any	Any	Nortel 5200	Any GA FW	Config 12 or 13	
USP - NSC	TrueCopy/HUR	Any	Any	Nortel 6500	Any GA FW	Config 12 or 13	
USP - NSC	TrueCopy/HUR	Any	Any	Siemens hiT 7300	Any GA FW	Config 12 or 13	
USP - NSC	TrueCopy/HUR	Any	Any	Silver Peak NX-2000, NX-3000, NX-5000, NX-7000, NX-8000, NX-9000	Any GA FW		Please check the SAN switch and Silver Peak's support matrices to ensure they both support the Silver Peak appliance connected to the SAN switch.
USP - NSC	TrueCopy	Any	Any	Tellabs 7110	latest	Config 12 or 13	
USP - NSC	TrueCopy	None	Not Applicable	Brocade 7500	v5.1.0c	Config. 12	
USP - NSC	TrueCopy	None	Not Applicable	Brocade 7500	v5.3.0b	Config. 12	
USP - NSC	TrueCopy	None	Not Applicable	Brocade 7500	v5.3.1a	Config. 12	
USP - NSC	TrueCopy	None	Not Applicable	Brocade AP7420	v7.4.0c	Config. 12	
USP - NSC	TrueCopy	None	Not Applicable	Brocade(CNT) GigaMux	GA FW	Config. 12	
USP - NSC	TrueCopy	None	Not Applicable	Brocade(CNT) Spectrum2000	GA FW	Config. 12	
USP - NSC	TrueCopy	None	Not Applicable	Brocade(CNT) Ultranet Wave	GA FW	Config. 12	
USP - NSC	TrueCopy	None	Not Applicable	Brocade(McDATA) Passive Fiber Bandwidth Multiplier	GA FW	Config. 12	
USP - NSC	TrueCopy	None	Not Applicable	Cisco FCIP Blade	GA FW	Config. 12	
USP - NSC	HUR	None	Not Applicable	Cisco MDS 9216i	v3.3(1c)	Config. 12	
USP - NSC	TrueCopy	None	Not Applicable	CNT Edge 3000	v3.1.1.3	Config. 12	

The following compatibility/interoperability information provided by Hitachi Data Systems should be used as a reference guide only, because hardware and software levels and releases may vary, and numerous

**This information is provided "AS IS" without warranty of any kind, including any warranty of merchandising or fitness for a particular purpose.**

Cells highlighted in light blue are new entries.

Storage System	Function	Switch Model	Switch FW	Extender Model	Extender FW	Configuration	Note
USP - NSC	TrueCopy	None	Not Applicable	Ericsson ERION Metro	GA FW	Config. 12	
USP - NSC	TrueCopy	None	Not Applicable	Hitachi COM AMN601A	GA FW	Config. 12	
USP - NSC	TrueCopy	None	Not Applicable	Hitachi COM AMN601GF	GA FW	Config. 12	
USP - NSC	TrueCopy	None	Not Applicable	LuxN WS3234	GA FW	Config. 12	
USP - NSC	TrueCopy	None	Not Applicable	McDATA Eclipse 2640	v4.07	Config. 12	
USP - NSC	TrueCopy	None	Not Applicable	McDATA IPS 3300	v4.04	Config. 12	
USP - NSC	TrueCopy	None	Not Applicable	Movaz RAYexpress	GA FW	Config. 12	
USP - NSC	TrueCopy	None	Not Applicable	Multiplexer7600	GA FW	Config. 12	
USP - NSC	TrueCopy	None	Not Applicable	NEC LE4100	GA FW	Config. 12	
USP - NSC	TrueCopy	None	Not Applicable	Not Applicable	Not Applicable	Config. 12	
USP - NSC	TrueCopy	None	Not Applicable	Tellabs 7110	GA FW	Config. 12	
USP - NSC	TrueCopy	Brocade 300, 5100, 5300, DCX	v6.0	Brocade 7500	v6.0	Config. 13	
USP - NSC	TrueCopy	Brocade 300, 5100, 5300, DCX	v6.0	Brocade 7500	v6.0.0c	Config. 13	
USP - NSC	TrueCopy	Brocade 300, 5100, 5300, DCX	v6.0.0c	Brocade 7500	v6.0.0c	Config. 13	
USP - NSC	TrueCopy/HUR	Brocade 300, 5100, 5300, DCX	v6.2.0	Brocade 7500	v6.2.0	Config. 13	
USP - NSC	TrueCopy/HUR	Brocade 300, 5100, 5300, DCX	v6.2.0c	Brocade 7500	v6.2.0c	Config. 13	
USP - NSC	TrueCopy/HUR	Brocade 300, 5100, 5300, DCX	v6.2.0e	Brocade 7500	v6.2.0e	Config. 13	
USP - NSC	TrueCopy/HUR	Brocade 300, 5100, 5300, DCX	v6.2.0g	Brocade 7500	v6.2.0f	Config. 13	
USP - NSC	TrueCopy	Brocade 300, 5100, 5300, DCX	v6.2.0g	Ciena CN4200 ESOM	v7.1.0	Config. 13	
USP - NSC	TrueCopy/HUR	Brocade 300, 5100, 5300, DCX	v6.2.0g	CNT Edge 3000	v3.2.1.4	Config. 13	
USP - NSC	TrueCopy/HUR	Brocade 300, 5100, 5300, DCX	v6.2.1	Brocade 7500	v6.2.1	Config. 13	
USP - NSC	TrueCopy/HUR	Brocade 300, 5100, 5300, DCX	v6.2.1b	Brocade 7500	v6.2.1b	Config. 13	
USP - NSC	TrueCopy/HUR	Brocade 300, 5100, 5300, DCX	v6.2.2a	Brocade 7500	v6.2.2a	Config. 13	
USP - NSC	TrueCopy/HUR	Brocade 300, 5100, 5300, DCX	v6.2.2c	Brocade 7500	v6.2.2c	Config. 13	
USP - NSC	TrueCopy/HUR	Brocade 300, 5100, 5300, DCX	v6.2.2d	Brocade 7500	v6.2.2d	Config. 13	
USP - NSC	HUR	Brocade 300, 5100, 5300, DCX	v6.3.0	Brocade 7800	v6.3.0	Config. 13	
USP - NSC	TrueCopy/HUR	Brocade 300, 5100, 5300, DCX	v6.3.0	Brocade FX8-24	v6.3.0	Config. 13	
USP - NSC	HUR	Brocade 300, 5100, 5300, DCX	v6.3.0a	Brocade 7800	v6.3.0a	Config. 13	
USP - NSC	TrueCopy/HUR	Brocade 300, 5100, 5300, DCX	v6.3.0a	Brocade FX8-24	v6.3.0a	Config. 13	
USP - NSC	TrueCopy/HUR	Brocade 300, 5100, 5300, DCX	v6.3.0b	Brocade 7800	v6.3.0b	Config. 13	
USP - NSC	HUR	Brocade 300, 5100, 5300, DCX	v6.3.0d	Brocade 7800	v6.3.0b	Config. 13	
USP - NSC	TrueCopy/HUR	Brocade 300, 5100, 5300, DCX	v6.3.0d	Brocade FX8-24	v6.3.0d	Config. 13	
USP - NSC	HUR	Brocade 300, 5100, 5300, DCX	v6.3.1a	Brocade 7800	v6.3.1a	Config. 13	
USP - NSC	TrueCopy/HUR	Brocade 300, 5100, 5300, DCX	v6.3.1a	Brocade FX8-24	v6.3.1a	Config. 13	
USP - NSC	HUR	Brocade 300, 5100, 5300, DCX	v6.3.2	Brocade 7800	v6.3.2	Config. 13	
USP - NSC	TrueCopy	Brocade 300, 5100, 5300, DCX	v6.3.2	Brocade FX8-24	v6.3.2	Config. 13	
USP - NSC	TrueCopy/HUR	Brocade 300, 5100, 5300, DCX	v6.3.2	Not Applicable	Not Applicable	Config. 11	
USP - NSC	HUR	Brocade 300, 5100, 5300, DCX	v6.3.2a	Brocade 7800	v6.3.2a	Config. 13	
USP - NSC	TrueCopy	Brocade 300, 5100, 5300, DCX	v6.3.2a	Brocade FX8-24	v6.3.2a	Config. 13	
USP - NSC	HUR	Brocade 300, 5100, 5300, DCX	v6.3.2b	Brocade 7800	v6.3.2b	Config. 13	
USP - NSC	TrueCopy	Brocade 300, 5100, 5300, DCX	v6.3.2b	Brocade FX8-24	v6.3.2b	Config. 13	
USP - NSC	HUR	Brocade 300, 5100, 5300, DCX	v6.4.0a	Brocade FX8-24	v6.3.2	Config. 13	
USP - NSC	TrueCopy	Brocade 300, 5100, 5300, DCX	v6.4.0a	Not Applicable	Not Applicable	Config. 11	
USP - NSC	TrueCopy/HUR	Brocade 300, 5100, 5300, DCX	v6.4.0c	Brocade 7800	v6.4.0c	Config. 13	
USP - NSC	HUR	Brocade 300, 5100, 5300, DCX	v6.4.0c	Brocade FX8-24	v6.4.0c	Config. 13	

The following compatibility/interoperability information provided by Hitachi Data Systems should be used as a reference guide only, because hardware and software levels and releases may vary, and numerous

**This information is provided "AS IS" without warranty of any kind, including any warranty of merchandising or fitness for a particular purpose.**

Cells highlighted in light blue are new entries.

Storage System	Function	Switch Model	Switch F/W	Extender Model	Extender F/W	Configuration	Note
USP - NSC	HUR	Brocade 300, 5100, 5300, DCX	v6.4.1	Brocade FX8-24	v6.4.1	Config. 13	
USP - NSC	TrueCopy	Brocade 3250, 3850, 3900, 12000, 24000	v4.2.0b	Cisco FCIP Blade	GA FW	Config. 13	
USP - NSC	TrueCopy	Brocade 3250, 3850, 3900, 12000, 24000	v4.2.0b	McDATA 9801SNS	2.4	Config. 13	
USP - NSC	TrueCopy	Brocade 3250, 3850, 3900, 12000, 24000	v4.2.0b	McDATA IPS 4300	v4.3.2	Config. 13	
USP - NSC	TrueCopy	Brocade 3250, 3850, 3900, 12000, 24000	v5.1.0a	McDATA P-CWDM-8	GA FW	Config. 13	
USP - NSC	TrueCopy	Brocade 3250, 3850, 3900, 12000, 24000	v5.1.1	Brocade 7500	v5.2.0	Config. 13	
USP - NSC	TrueCopy	Brocade 4100, 48000	v5.0.1d	McDATA Eclipse 2640	v4.07	Config. 13	
USP - NSC	TrueCopy	Brocade 4100, 4900, 48000	v5.1.0	McDATA P-CWDM-8	GA FW	Config. 13	
USP - NSC	TrueCopy	Brocade 4100, 4900, 48000	v5.1.0a	CNT Edge 3000	v3.1.5.0.3	Config. 13	
USP - NSC	TrueCopy	Brocade 4100, 4900, 48000	v5.1.0d	Brocade 7500	v5.1.0c	Config. 13	
USP - NSC	TrueCopy	Brocade 4100, 4900, 48000	v5.1.1	Brocade 7500	v5.2.0	Config. 13	
USP - NSC	TrueCopy	Brocade 4100, 4900, 48000	v5.2.0b	CNT Edge 3000	v3.2.0	Config. 13	
USP - NSC	TrueCopy	Brocade 4100, 4900, 48000, 5000	v5.3.0	Brocade 7500	v6.0	Config. 13	
USP - NSC	TrueCopy	Brocade 4100, 4900, 48000, 5000	v5.3.0	Brocade AP7420	v7.4.1e	Config. 13	
USP - NSC	TrueCopy	Brocade 4100, 4900, 48000, 5000	v5.3.0c	Brocade 7500	v5.3.0c	Config. 13	
USP - NSC	TrueCopy	Brocade 4100, 4900, 48000, 5000	v5.3.1a	Brocade 7500	v5.3.1a	Config. 13	
USP - NSC	TrueCopy	Brocade 4100, 4900, 48000, 5000	v5.3.1a	Brocade 7500	v6.1.0b	Config. 13	
USP - NSC	TrueCopy	Brocade 4100, 4900, 48000, 5000	v5.3.2	Brocade 7500	v5.3.2	Config. 13	
USP - NSC	TrueCopy	Brocade 4100, 4900, 48000, 5000	v5.3.2a	Brocade 7500	v5.3.2a	Config. 13	
USP - NSC	TrueCopy	Brocade 4100, 4900, 48000, 5000	v5.3.2b	Brocade 7500	v5.3.2b	Config. 13	
USP - NSC	TrueCopy	Brocade 4100, 4900, 48000, 5000	v6.1.0c	Cisco FCIP Blade	GA FW	Config. 13	
USP - NSC	TrueCopy	Brocade 4100, 4900, 48000, 5000	v6.1.0h	Ciena CN4200 ESOM	v7.1.0	Config. 13	
USP - NSC	TrueCopy	Brocade 4100, 4900, 48000, 5000	v6.1.1c	Cisco FCIP Blade	GA FW	Config. 13	
USP - NSC	TrueCopy	Brocade 4100, 4900, 48000, 5000	v6.2.0g	Brocade 48000 (FR4-18i)	v6.2.0g	Config. 13	
USP - NSC	TrueCopy	Brocade 4100, 4900, 48000, 5000	v6.3.1a	Not Applicable	Not Applicable	Config. 11	
USP - NSC	HUR	Brocade 4100, 4900, 48000, 5000	v6.3.1a	Brocade 48000 (FR4-18i)	v6.3.1a	Config. 13	
USP - NSC	TrueCopy	Brocade 48000 (FC4-48)	v5.2.0b	McDATA Eclipse 2640	v5.00	Config. 13	
USP - NSC	TrueCopy	Brocade 48000 (FC4-48)	v5.2.1	Brocade 7500	v5.2.0b	Config. 13	
USP - NSC	TrueCopy	Brocade 48000 (FC4-48)	v5.2.1	McDATA Eclipse 1620	v5.00.00	Config. 13	
USP - NSC	TrueCopy	Brocade 48000 (FC4-48)	v5.2.1b	Cisco FCIP Blade	GA FW	Config. 13	
USP - NSC	TrueCopy	Brocade 48000 (FC4-48)	v5.3.0	Brocade 7500	v5.3.0	Config. 13	
USP - NSC	TrueCopy	Brocade 48000 (FC4-48)	v5.3.0b	Brocade 7500	v5.3.0b	Config. 13	
USP - NSC	TrueCopy	Brocade 7500	v6.1.0d	Brocade 7500	v6.1.0b	Config. 13	
USP - NSC	TrueCopy	Brocade 7500	v6.1.0d	Brocade 7500	v6.1.0b	Config. 13	
USP - NSC	HUR	Brocade 7500	v6.3.1a	Not Applicable	Not Applicable	Config. 11	
USP - NSC	TrueCopy	Brocade 7500	v6.4.0c	Brocade 7500	v6.4.0c	Config. 13	
USP - NSC	TrueCopy	Brocade 7500	v6.4.1	Brocade 7500	v6.4.1	Config. 13	
USP - NSC	TrueCopy	Brocade 7500	v6.4.0a	Brocade 7500	v6.4.0a	Config. 13	
USP - NSC	TrueCopy	Brocade AP7420 (48000)	v7.4.0d, v5.0.1d	McDATA Eclipse 2640	v4.07	Config. 13	

The following compatibility/interoperability information provided by Hitachi Data Systems should be used as a reference guide only, because hardware and software levels and releases may vary, and numerous

**This information is provided "AS IS" without warranty of any kind, including any warranty of merchandising or fitness for a particular purpose.**

Cells highlighted in light blue are new entries.

Storage System	Function	Switch Model	Switch F/W	Extender Model	Extender F/W	Configuration	Note
USP - NSC	TrueCopy/HUR	Cisco MDS 9124, 9134, 9216i, 9222i, 9513	Any	F5 BIG-IP 3900, 6900, 8900	Any GA FW		Please check the SAN switch and F5's support matrices to ensure they both support the F5 appliance connected to the SAN switch.
USP - NSC	TrueCopy/HUR	Cisco MDS 9124, 9134, 9216i, 9222i, 9513	Any	Riverbed 5050, 6020, 6050, 7050	Any GA FW		Please check the SAN switch and Riverbed's support matrices to ensure they both support the Riverbed appliance connected to the SAN switch.
USP - NSC	TrueCopy	Cisco MDS 9124, 9134, 9222i, 9513	v3.0(2)	Cisco FCIP Blade	GA FW	Config. 13	
USP - NSC	TrueCopy	Cisco MDS 9124, 9134, 9222i, 9513	v3.1(1)	Brocade 7500	v5.2.1	Config. 13	
USP - NSC	TrueCopy	Cisco MDS 9124, 9134, 9222i, 9513	v3.1(1)	CNT Edge 3000	v3.1.5.1.1	Config. 13	
USP - NSC	TrueCopy	Cisco MDS 9124, 9134, 9222i, 9513	v3.1(2)	Brocade 7500	v5.2.1	Config. 13	
USP - NSC	TrueCopy	Cisco MDS 9124, 9134, 9222i, 9513	v3.1(2)	Cisco FCIP Blade	GA FW	Config. 13	
USP - NSC	TrueCopy	Cisco MDS 9124, 9134, 9222i, 9513	v3.1(2a)	Cisco FCIP Blade	GA FW	Config. 13	
USP - NSC	TrueCopy	Cisco MDS 9124, 9134, 9222i, 9513	v3.1(2b)	Cisco FCIP Blade	GA FW	Config. 13	
USP - NSC	TrueCopy	Cisco MDS 9124, 9134, 9222i, 9513	v3.1(3)	Brocade 7500	v5.2.1b	Config. 13	
USP - NSC	TrueCopy	Cisco MDS 9124, 9134, 9222i, 9513	v3.1(3)	Cisco FCIP Blade	GA FW	Config. 13	
USP - NSC	TrueCopy	Cisco MDS 9124, 9134, 9222i, 9513	v3.2(1)	Cisco FCIP Blade	GA FW	Config. 13	
USP - NSC	TrueCopy	Cisco MDS 9124, 9134, 9222i, 9513	v3.2(1a)	Cisco FCIP Blade	GA FW	Config. 13	
USP - NSC	TrueCopy	Cisco MDS 9124, 9134, 9222i, 9513	v3.2(2c)	Brocade 7500	v5.3.0c	Config. 13	
USP - NSC	TrueCopy	Cisco MDS 9124, 9134, 9222i, 9513	v3.2(3a)	Cisco FCIP Blade	GA FW	Config. 13	
USP - NSC	TrueCopy	Cisco MDS 9124, 9134, 9222i, 9513	v3.3(1c)	Not Applicable	Not Applicable	Config. 11	
USP - NSC	HUR	Cisco MDS 9124, 9134, 9222i, 9513	v3.3(2)	Cisco FCIP Blade	Bundled	Config. 13	
USP - NSC	TrueCopy/HUR	Cisco MDS 9124, 9134, 9222i, 9513	v3.3(3)	Cisco FCIP Blade	Bundled	Config. 13	
USP - NSC	TrueCopy/HUR	Cisco MDS 9124, 9134, 9222i, 9513	v3.3(4)	Cisco FCIP Blade	Bundled	Config. 13	
USP - NSC	TrueCopy	Cisco MDS 9124, 9134, 9222i, 9513	v3.3(4)	Not Applicable	Not Applicable	Config. 11	
USP - NSC	TrueCopy	Cisco MDS 9124, 9134, 9222i, 9513	v3.3(4)	QLogic SANbox 6142	v2.4.3.3	Config. 13	
USP - NSC	TrueCopy	Cisco MDS 9124, 9134, 9222i, 9513	v4.1(1b)	Cisco FCIP Blade	GA FW	Config. 13	
USP - NSC	TrueCopy/HUR	Cisco MDS 9124, 9134, 9222i, 9513	v4.1(1c)	Cisco FCIP Blade	Bundled	Config. 13	
USP - NSC	TrueCopy/HUR	Cisco MDS 9124, 9134, 9222i, 9513	v4.1(3)	Cisco FCIP Blade	Bundled	Config. 13	
USP - NSC	TrueCopy/HUR	Cisco MDS 9124, 9134, 9222i, 9513	v4.1(3a)	Cisco FCIP Blade	Bundled	Config. 13	
USP - NSC	TrueCopy/HUR	Cisco MDS 9124, 9134, 9222i, 9513	v4.1(3a)	Not Applicable	Not Applicable	Config. 11	
USP - NSC	HUR	Cisco MDS 9124, 9134, 9222i, 9513	v4.2(1a)	Cisco FCIP Blade	Bundled	Config. 13	
USP - NSC	HUR	Cisco MDS 9124, 9134, 9222i, 9513	v4.2(3)	Ciena CN4200 ESOM	v7.1.0	Config. 13	
USP - NSC	HUR	Cisco MDS 9124, 9134, 9222i, 9513	v4.2(3)	Cisco FCIP Blade	GA FW	Config. 13	
USP - NSC	TrueCopy/HUR	Cisco MDS 9124, 9134, 9222i, 9513	v4.2(3a)	Cisco FCIP Blade	GA FW	Config. 13	
USP - NSC	TrueCopy/HUR	Cisco MDS 9124, 9134, 9222i, 9513	v4.2(5)	Cisco FCIP Blade	GA FW	Config. 13	
USP - NSC	TrueCopy/HUR	Cisco MDS 9124, 9134, 9222i, 9513	v4.2(7)	Cisco FCIP Blade	GA FW	Config. 13	
USP - NSC	TrueCopy/HUR	Cisco MDS 9124, 9134, 9222i, 9513	v4.2(7b)	Cisco FCIP Blade	GA FW	Config. 13	
USP - NSC	HUR	Cisco MDS 9124, 9134, 9222i, 9513	v5.0(1a)	Cisco FCIP Blade	GA FW	Config. 13	
USP - NSC	HUR	Cisco MDS 9148, 9222i (8G), 9506 (8G) 9509 (8G) 9513 (8G)	v5.(01a)	Ciena CN4200 ESOM	v7.1.0	Config. 13	
USP - NSC	TrueCopy/HUR	Cisco MDS 9222i (8G), 9506 (8G) 9509 (8G) 9513 (8G)	v4.1(1c)	Cisco FCIP Blade	GA FW	Config. 13	

The following compatibility/interoperability information provided by Hitachi Data Systems should be used as a reference guide only, because hardware and software levels and releases may vary, and numerous

**This information is provided "AS IS" without warranty of any kind, including any warranty of merchandising or fitness for a particular purpose.**

Cells highlighted in light blue are new entries.

Storage System	Function	Switch Model	Switch F/W	Extender Model	Extender F/W	Configuration	Note
USP - NSC	TrueCopy/HUR	Cisco MDS 9222i (8G), 9506 (8G) 9509 (8G) 9513 (8G)	v4.1(3)	Cisco FCIP Blade	GA FW	Config. 13	
USP - NSC	TrueCopy/HUR	Cisco MDS 9222i (8G), 9506 (8G) 9509 (8G) 9513 (8G)	v4.1(3a)	Cisco FCIP Blade	GA FW	Config. 13	
USP - NSC	TrueCopy	Cisco MDS 9222i (8G), 9506 (8G) 9509 (8G) 9513 (8G)	v4.2(7b)	Cisco FCIP Blade	GA FW	Config. 13	
USP - NSC	TrueCopy	Cisco MDS 9506 (4G), 9509 (4G), 9513	v3.1(2)	Cisco FCIP Blade	GA FW	Config. 13	
USP - NSC	TrueCopy	Cisco MDS 9506, 9509, 9120, 9140, 9216, 9216i	v1.3(4a)	CNT USD-x	v3.2.1	Config. 13	
USP - NSC	TrueCopy	Cisco MDS 9506, 9509, 9120, 9140, 9216, 9216i	v2.1(2b)	McDATA Eclipse 2640	v4.07	Config. 13	
USP - NSC	TrueCopy	Cisco MDS 9506, 9509, 9120, 9140, 9216, 9216i	v2.1(2d)	McDATA IPS 3300	v4.05.01	Config. 13	
USP - NSC	TrueCopy	Cisco MDS 9506, 9509, 9120, 9140, 9216, 9216i	v2.1(2e)	Cisco FCIP Blade	GA FW	Config. 13	
USP - NSC	TrueCopy	Cisco MDS 9506, 9509, 9120, 9140, 9216, 9216i	v2.1(3)	CNT Edge 3000	v3.1.5	Config. 13	
USP - NSC	TrueCopy	Cisco MDS 9506, 9509, 9120, 9140, 9216, 9216i	v3.0(1)	Cisco FCIP Blade	GA FW	Config. 13	
USP - NSC	TrueCopy	Cisco MDS 9506, 9509, 9120, 9140, 9216, 9216i	v3.0(2a)	Cisco FCIP Blade	GA FW	Config. 13	
USP - NSC	TrueCopy	Cisco MDS 9506, 9509, 9120, 9140, 9216, 9216i	v3.0(3)	Cisco FCIP Blade	GA FW	Config. 13	
USP - NSC	TrueCopy	Cisco MDS 9506, 9509, 9120, 9140, 9216, 9216i	v3.1(1)	Cisco FCIP Blade	GA FW	Config. 13	
USP - NSC	TrueCopy	Cisco MDS 9506, 9509, 9120, 9140, 9216, 9216i	v3.1(2)	Cisco FCIP Blade	GA FW	Config. 13	
USP - NSC	TrueCopy	Cisco MDS 9506, 9509, 9120, 9140, 9216, 9216i	v3.1(2a)	Cisco FCIP Blade	GA FW	Config. 13	
USP - NSC	TrueCopy	Cisco MDS 9506, 9509, 9120, 9140, 9216, 9216i	v3.1(2b)	Cisco FCIP Blade	GA FW	Config. 13	
USP - NSC	TrueCopy	Cisco MDS 9506, 9509, 9120, 9140, 9216, 9216i	v3.1(3)	Cisco FCIP Blade	GA FW	Config. 13	
USP - NSC	TrueCopy	Cisco MDS 9506, 9509, 9120, 9140, 9216, 9216i	v3.2(1)	Cisco FCIP Blade	GA FW	Config. 13	
USP - NSC	TrueCopy	Cisco MDS 9506, 9509, 9120, 9140, 9216, 9216i	v3.2(1a)	Cisco FCIP Blade	GA FW	Config. 13	
USP - NSC	TrueCopy	Cisco MDS 9506, 9509, 9120, 9140, 9216, 9216i	v3.2(1a)	QLogic SANbox 6142	v2.4.3.3	Config. 13	
USP - NSC	TrueCopy	Cisco MDS 9506, 9509, 9120, 9140, 9216, 9216i	v3.2(2c)	Cisco FCIP Blade	GA FW	Config. 13	
USP - NSC	TrueCopy	Cisco MDS 9506, 9509, 9120, 9140, 9216, 9216i	v3.3(1c)	Cisco FCIP Blade	GA FW	Config. 13	

The following compatibility/interoperability information provided by Hitachi Data Systems should be used as a reference guide only, because hardware and software levels and releases may vary, and numerous

**This information is provided "AS IS" without warranty of any kind, including any warranty of merchandising or fitness for a particular purpose.**

Cells highlighted in light blue are new entries.

Storage System	Function	Switch Model	Switch F/W	Extender Model	Extender F/W	Configuration	Note
USP - NSC	HUR	Cisco MDS 9506, 9509, 9120, 9140, 9216, 9216i	v3.3(2)	Cisco FCIP Blade	Bundled	Config. 13	
USP - NSC	TrueCopy/HUR	Cisco MDS 9506, 9509, 9120, 9140, 9216, 9216i	v3.3(3)	Cisco FCIP Blade	Bundled	Config. 13	
USP - NSC	TrueCopy/HUR	Cisco MDS 9506, 9509, 9120, 9140, 9216, 9216i	v3.3(4)	Cisco FCIP Blade	Bundled	Config. 13	
USP - NSC	TrueCopy	Cisco MDS 9506, 9509, 9120, 9140, 9216, 9216i	v4.1(1b)	Cisco FCIP Blade	GA FW	Config. 13	
USP - NSC	TrueCopy/HUR	Cisco MDS 9506, 9509, 9120, 9140, 9216, 9216i	v4.1(1c)	Cisco FCIP Blade	GA FW	Config. 13	
USP - NSC	TrueCopy/HUR	Cisco MDS 9506, 9509, 9120, 9140, 9216, 9216i	v4.1(3)	Cisco FCIP Blade	GA FW	Config. 13	
USP - NSC	TrueCopy/HUR	Cisco MDS 9506, 9509, 9120, 9140, 9216, 9216i	v4.1(3a)	Cisco FCIP Blade	GA FW	Config. 13	
USP - NSC	HUR	Cisco MDS 9506, 9509, 9120, 9140, 9216, 9216i	v4.2(1a)	Cisco FCIP Blade	Bundled	Config. 13	
USP - NSC	HUR	Cisco MDS 9506, 9509, 9120, 9140, 9216, 9216i	v4.2(3)	Cisco FCIP Blade	GA FW	Config. 13	
USP - NSC	HUR	Cisco MDS 9506, 9509, 9120, 9140, 9216, 9216i	v4.2(3)	QLogic iSR6250	v3.1.0.1	Config. 13	
USP - NSC	TrueCopy	Cisco MDS 9506, 9509, 9120, 9140, 9216, 9216i	v4.2(5)	Cisco FCIP Blade	GA FW	Config. 13	
USP - NSC	TrueCopy/HUR	Cisco MDS 9506, 9509, 9120, 9140, 9216, 9216i	v4.2(7)	Cisco FCIP Blade	GA FW	Config. 13	
USP - NSC	TrueCopy/HUR	Cisco MDS 9506, 9509, 9120, 9140, 9216, 9216i	v4.2(7b)	Cisco FCIP Blade	GA FW	Config. 13	
USP - NSC	TrueCopy	CNT FC/9000-64 (2G)	v5.0.0	McDATA Eclipse 1620	v4.04	Config. 13	
USP - NSC	TrueCopy	CNT UMD	v1.1.0.2.8	CNT Edge 3000	v3.1.1.4	Config. 13	
USP - NSC	TrueCopy	CNT UMD	v1.1.1.1.5	Cisco FCIP Blade	GA FW	Config. 13	
USP - NSC	TrueCopy	McDATA 10000	v6.03	McDATA Eclipse 1620	v4.07	Config. 13	
USP - NSC	TrueCopy	McDATA 10000	v9.02.00	Brocade 7500	v5.2.0a	Config. 13	
USP - NSC	TrueCopy	McDATA 10000	v9.02.00	McDATA Eclipse 1620	v5.00.00	Config. 13	
USP - NSC	TrueCopy	McDATA 10000	v9.02.00	McDATA Eclipse 2640	v5.00	Config. 13	
USP - NSC	TrueCopy	McDATA 10000	v9.09.01	Brocade 7500	v5.2.0a	Config. 13	
USP - NSC	TrueCopy	McDATA 10000	v9.09.03	McDATA Eclipse 1620	v5.00.00	Config. 13	
USP - NSC	TrueCopy	McDATA 10000	v9.09.05	McDATA Eclipse 2640	v5.00	Config. 13	
USP - NSC	HUR	McDATA 10000	v9.09.08	Brocade FR4-18i	v6.1.0a	Config. 13	
USP - NSC	TrueCopy	McDATA 10000 (4G)	v9.02.00	Cisco FCIP Blade	GA FW	Config. 13	
USP - NSC	TrueCopy	McDATA 10000 (4G)	v9.02.00	McDATA Eclipse 1620	v5.00.00	Config. 13	
USP - NSC	TrueCopy	McDATA 10000 (4G)	v9.02.00	McDATA Eclipse 2640	v5.00	Config. 13	
USP - NSC	TrueCopy	McDATA 3016, 3032, 3216, 3232, 4500, 6064, 6140	v6.01	CNT Edge 3000	v3.1.1.3	Config. 13	
USP - NSC	TrueCopy	McDATA 3016, 3032, 3216, 3232, 4500, 6064, 6140	v9.06.00	QLogic SANbox 6142	v2.3.1.6	Config. 13	
USP - NSC	TrueCopy	McDATA 4300, 4500	v8.00.01	McDATA Eclipse 1620	v4.07	Config. 13	

The following compatibility/interoperability information provided by Hitachi Data Systems should be used as a reference guide only, because hardware and software levels and releases may vary, and numerous

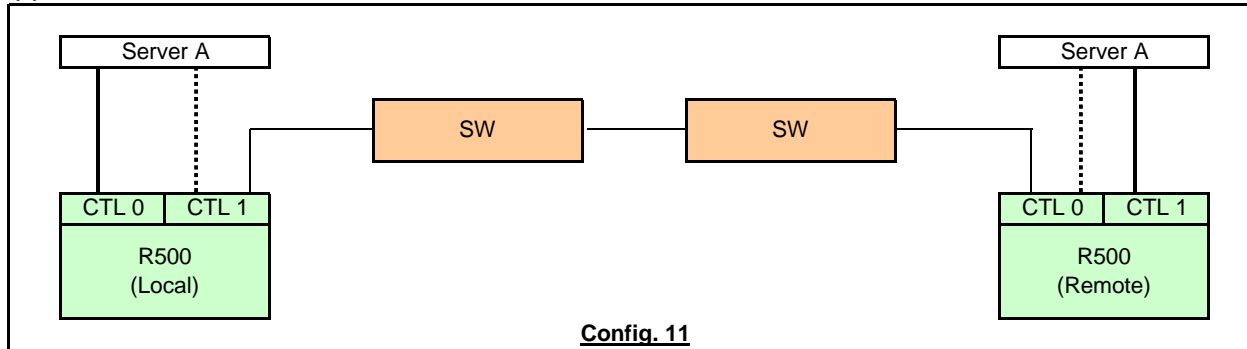
**This information is provided "AS IS" without warranty of any kind, including any warranty of merchandising or fitness for a particular purpose.**

Cells highlighted in light blue are new entries.

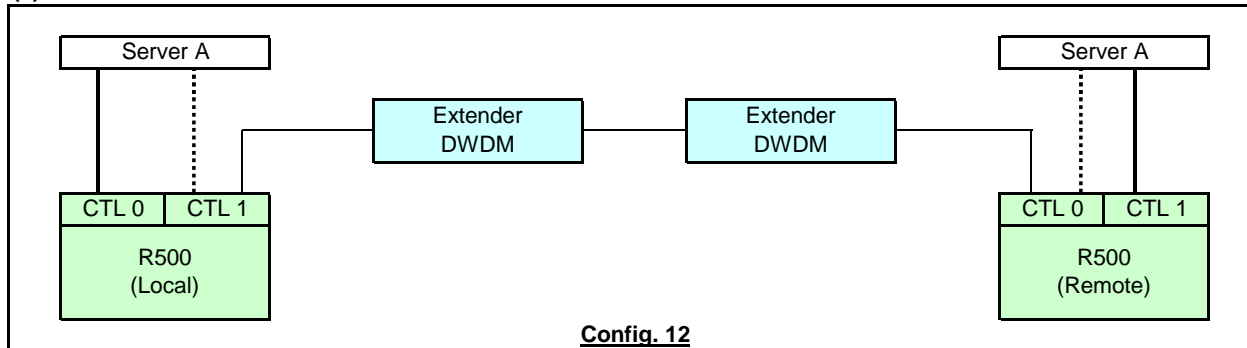
Storage System	Function	Switch Model	Switch F/W	Extender Model	Extender F/W	Configuration	Note
USP - NSC	TrueCopy	McDATA 4300, 4500	v8.00.01	McDATA Eclipse 2640	v4.07	Config. 13	
USP - NSC	TrueCopy	McDATA 4300, 4500	v8.00.01	McDATA IPS 4300	v4.05.01	Config. 13	
USP - NSC	TrueCopy	McDATA 4400, 4700	v8.00.01	McDATA Eclipse 1620	v4.07	Config. 13	
USP - NSC	TrueCopy	McDATA 4400, 4700	v8.00.01	McDATA Eclipse 2640	v4.07	Config. 13	
USP - NSC	TrueCopy	McDATA 4400, 4700	v9.00.00	Cisco FCIP Blade	GA FW	Config. 13	
USP - NSC	TrueCopy	McDATA 4400, 4700	v9.00.00	McDATA P-CWDM-8	GA FW	Config. 13	
USP - NSC	TrueCopy	McDATA 4400, 4700	v9.01.00	Cisco FCIP Blade	GA FW	Config. 13	
USP - NSC	TrueCopy	McDATA 4400, 4700	v9.02.00	Brocade 7500	v5.3.0	Config. 13	
USP - NSC	TrueCopy	McDATA 4400, 4700	v9.06.00	Cisco FCIP Blade	GA FW	Config. 13	
USP - NSC	TrueCopy	McDATA 4400, 4700	v9.09.02	CIENA CN2000	v5.1.1	Config. 13	
USP - NSC	TrueCopy	McDATA 6064 (4G), 6140 (4G)	v9.02.00	Cisco MDS 9216i	v3.0(3)	Config. 13	
USP - NSC	TrueCopy	McDATA 6064 (4G), 6140 (4G)	v9.02.00	McDATA Eclipse 1620	v5.00.00	Config. 13	
USP - NSC	TrueCopy	McDATA 6064 (4G), 6140 (4G)	v9.02.00	McDATA Eclipse 2640	v5.00	Config. 13	
USP - NSC	TrueCopy	McDATA 6064 (4G), 6140 (4G)	v9.06.00	McDATA Eclipse 2640	v5.01	Config. 13	
USP - NSC	TrueCopy/HUR	McDATA 6064 (4G), 6140 (4G)	v9.09.07	Brocade 7800	v6.4.0c	Config. 13	
USP - NSC	TrueCopy	McDATA 6064, 6140	v5.02	McDATA IPS 3300	v4.05.02	Config. 13	
USP - NSC	TrueCopy	McDATA 6064, 6140	v8.00.01	CNT Edge 1001	v1.5.1.3.5	Config. 13	
USP - NSC	TrueCopy	McDATA 6064, 6140	v8.00.01	CNT GIGAMUX 6400	GA FW	Config. 13	
USP - NSC	TrueCopy	McDATA 6064, 6140	v8.00.01	McDATA IPS 3300	v4.05.01	Config. 13	
USP - NSC	TrueCopy	McDATA 6064, 6140	v8.00.01	McDATA IPS 4300	v4.05.01	Config. 13	
USP - NSC	TrueCopy	McDATA 6064, 6140	v8.01.00	McDATA P-CWDM-8	GA FW	Config. 13	
USP - NSC	TrueCopy	McDATA 6064, 6140	v8.02.00	McDATA Eclipse 1620	v4.07	Config. 13	
USP - NSC	TrueCopy	McDATA 6064, 6140	v9.01.00	CNT Edge 3000	v3.1.4	Config. 13	
USP - NSC	TrueCopy	McDATA 6064, 6140	v9.02.00	McDATA Eclipse 1620	v5.00.00	Config. 13	
USP - NSC	TrueCopy	McDATA 6064, 6140	v9.02.00	McDATA Eclipse 2640	v5.00	Config. 13	
USP - NSC	TrueCopy	McDATA 6064, 6140	v9.06.00	McDATA Eclipse 2640	v5.01	Config. 13	
USP - NSC	TrueCopy	McDATA 6064, 6140	v9.06.01	Cisco FCIP Blade	GA FW	Config. 13	
USP - NSC	TrueCopy	QLogic 1400	v5.0.1.10	McDATA Eclipse 2640	v5.01	Config. 13	
USP - NSC	HUR	QLogic 9000	v7.8.0.04	QLogic iSR6250	v3.1.0.2	Config. 13	
USP - NSC	HUR	QLogic 5600	v7.4.0.16	QLogic iSR6250	v3.1.0.2	Config. 13	
USP - NSC	HUR	QLogic 5800	v7.4.0.16	QLogic iSR6250	v3.1.0.2	Config. 13	

(2) Remote Copy Configuration Pattern

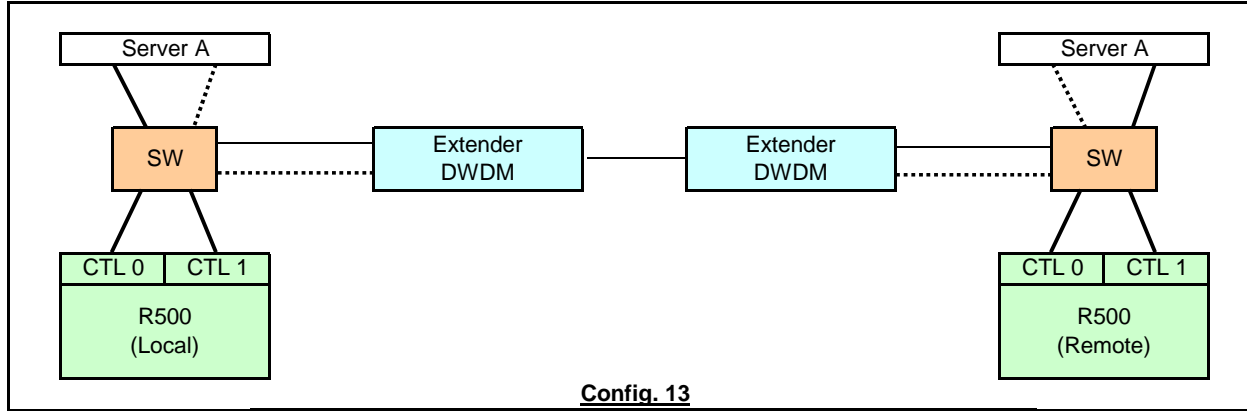
(2)-1 Switch Connection



(2)-2 Extender/DWDM Direct Connection



(2)-3 Extender/DWDM Switch Connection



Config. 13